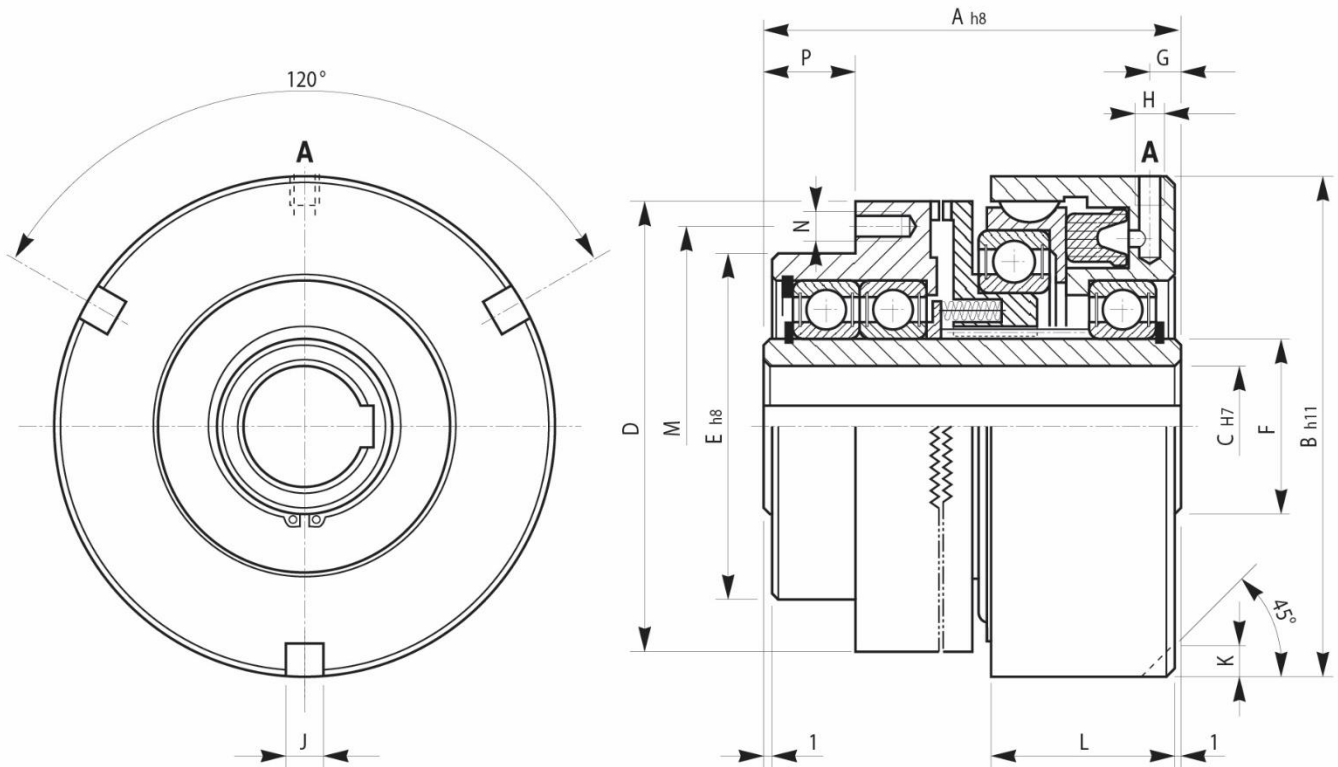


ATC-H Series Pneumatic Tooth Clutch With Hub



Model	Torque Ms (Nm)	Max. R.PM	Working Pressure (bar)	Cylinder Volume (cm ³)	Weight (kg)
00	110	3000	6	6	3.4
01	160	3000	6	8	4.1
02	260	2400	6	12	6
03	350	2400	6	15	7.3
04	550	2000	6	25	10.5
05	750	2000	6	30	12.4
06	1300	1600	6	40	18
07	2100	1400	6	50	26

Model	A	B	C		D	E	F	G	H	J	K	L	M	N n° x Ø	P
			Min	Max											
00	86	97	14	20	92	65	30	7	1/8"	10	9	38	82	3 x M6	18
01	93	115	15	25	99	72	35	7	1/8"	10	10	46	88	3 x M6	19
02	98	127	18	34	115	88	45	7	1/8"	10	10	44	102	3 x M6	20
03	101	134	18	34	124	88	45	7.5	1/8"	10	10	45	108	6 x M6	20
04	112	153	20	46	137	102	60	9	1/4"	12	12	49	120	6 x M6	23
05	113	167	25	50	153	112	65	9	1/4"	12	12	55	135	6 x M8	22
06	129	193	30	60	178	132	75	9	1/4"	12	12	60	155	6 x M8	23
07	146	216	30	68	209	145	85	9	1/4"	14	14	65	180	6 x M10	32