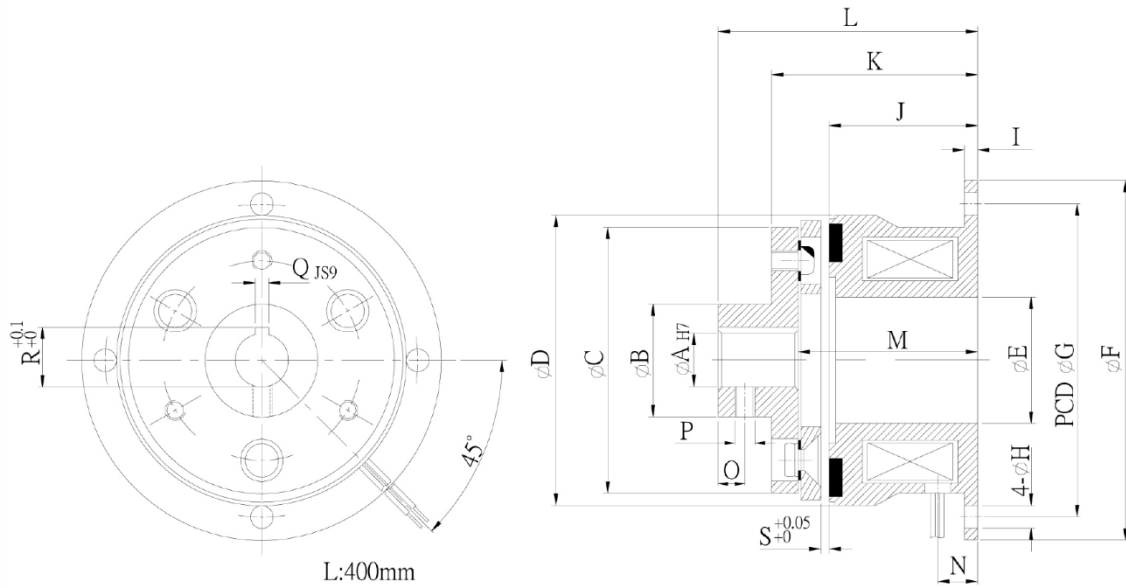


MMB2 Series

Micro Magnetic Brake (with hub)



Model	MMB2-06	MMB2-09	MMB2-22	MMB2-45
Torque (Nm)	0.6	0.9	2.2	4.5
Power [24V](W) @ 20°C	6.2	6	8	10
Radius	A	6	8	10
	B	13	15	24
	C	28	32	40
	D	31	34	43.6
	E	11	13	19
	F	39	45	54
	G	33.5	38	47
	H	3.4	3.4	3.4
Shaft	I	1.5	2	2
	J	16	18.9	22.3
	K	21.3	23.4	29.8
	L	26.3	31.4	37.8
	M	18.3	21.4	25.8
	N	4	5	6
	O	2.5	4	4
	P	M3*P0.5	M3*P0.5	M3*P0.5
	Q	2	2	2
	R	7	7	9
	S	0.1	0.1	0.15