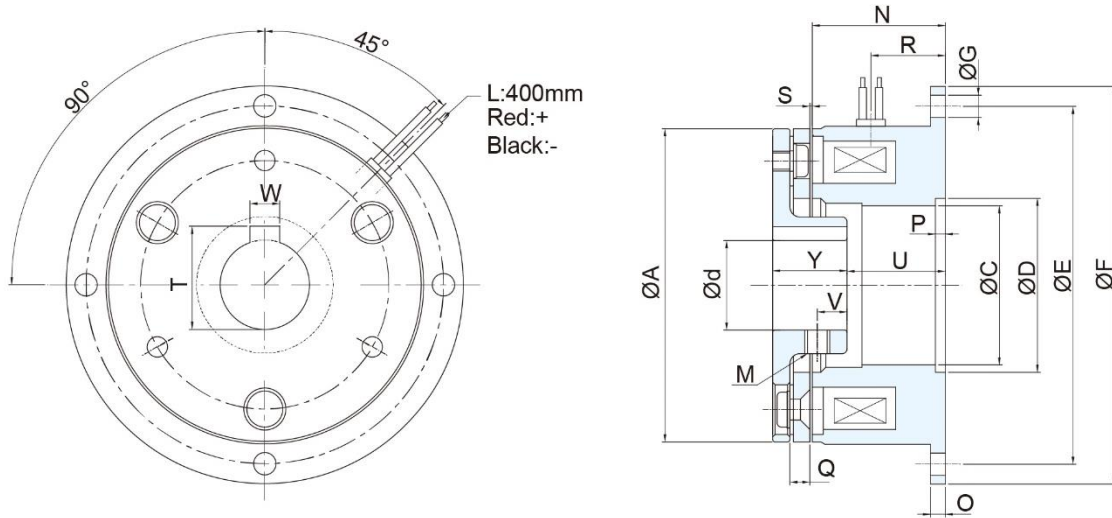


# PMBB Series

## Permanent Magnet Brake with Hub



Model: PMBB	S04AA	0S1AA	0S2AA	0S4AA	0S9AA	1S8AA	3S5AA	007AA	014AA	
<b>Static Torque (Nm)</b>	0.4	1.0	2.0	4.5	9.0	18	35	72	140	
<b>Power (W) [24V]</b>	8	10	11	12	18	24	26	40	50	
<b>Dimensions</b>	A	28	32	40	50	63	80	100	125	160
	C	11	12.5	19	24	32	38	48.5	58	75
	D	-	-	-	26	35	42	52	62	80
	E	33.5	38	47	58	72	90	112	137	175
	F	39	45	54	65	80	100	125	150	190
	G	4-3.4	4-3.4	4-3.4	4-3.4	4-4.5	4-5.5	4-6.5	4-6.5	4-9.0
	M	-	1-M3	1-M4	1-M4	2-M5	2-M5	2-M6	2-M6	2-M8
	N	19.5	21.5	22.5	28.5	26.8	29.9	33.9	37.8	42.6
	O	2	2	2	2	3	3	4	5	6
	P	-	-	-	1.8	2	2	2.5	3.5	3.5
	Q	2.2	2.1	2.7	3	4	4.5	6.2	7.2	9.4
	R	10.5	12	12	14	15	16.5	19	23	26
	S	0.15-0.20	0.15-0.25	0.15-0.25	0.25-0.35	0.25-0.35	0.25-0.35	0.35-0.45	0.40-0.50	0.75-0.85
	Y	7	10	12	12	15	20	25	30	38
	U	16.8	15.8	15.8	22.7	19.4	18.8	20.6	21.4	21.8
	V	-	4	4	5	6	8	10	12	14
	W	2	2	3	5	6	6	8	7	10
T	7	7	11.4	17.3	20.8	22.8	33.3	33.3	43.8	
d(H7)	6	6	10	15	18	20	30	30	40	